

Fig. 1 - 5CE

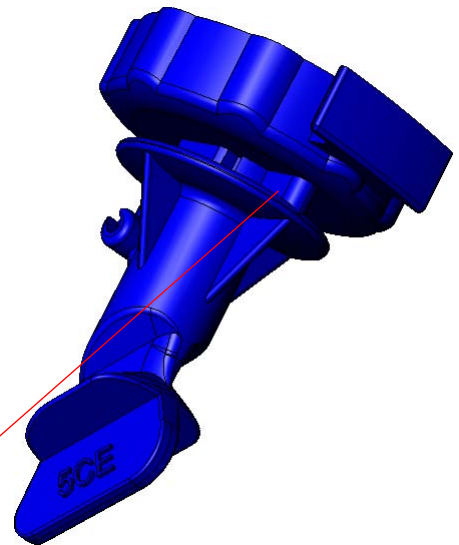


Fig. 2 - 5CE

Rib added on the back of the tip to hold the tip in place.

Rib have 0.21" of conact with groove on stand when installed

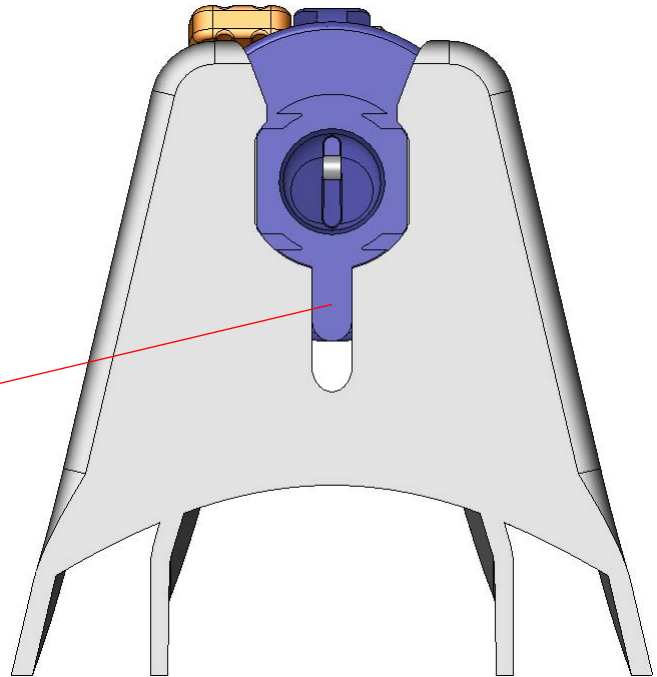


Fig. 3 - 5CE

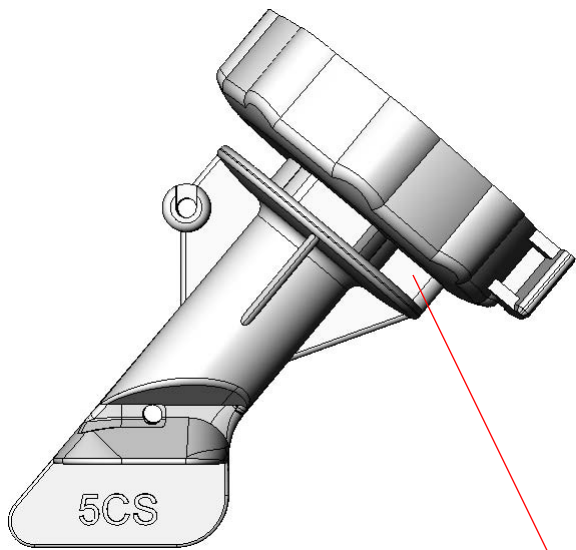


Fig. 4 - 5CS

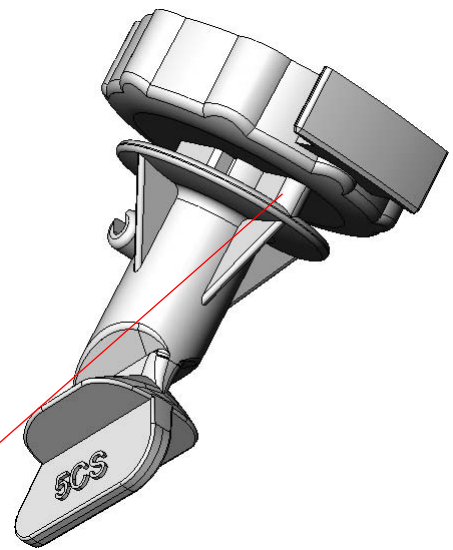


Fig. 5 - 5CS

Rib added on the back of the tip to hold the tip in place.

Rib have 0.21" of contact with groove on stand when installed

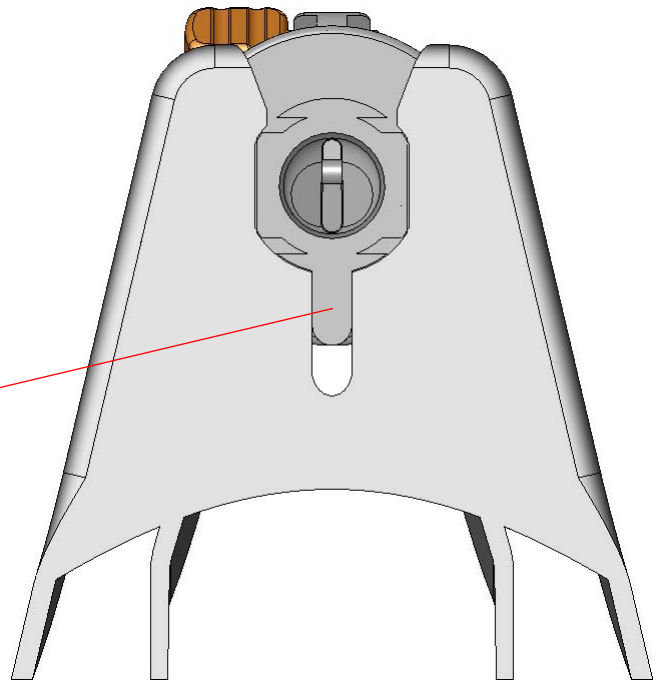


Fig. 6 - 5CS